

ROTATIONAL SERIES R-375 LIFT NEW CONSTRUCTION & SAW CUT SLEEVE ANCHORING SYSTEM INSTALLATION MANUAL



Prior to installing, please make sure you have filled out a Deck Configuration Form to make sure you have the correct lift that fits Your application.



ROTATIONAL SERIES

R-375

SLEEVE ANCHORING SYSTEM INSTALLATION

PARTS LIST

- ✓ 1 - Anchor Sleeve w/ Base
- ✓ 1 - Plastic Cap
- ✓ 1 – Bonding Lug w/ nut & Bolt



ANCHORING SLEEVE, BASE PLATE & BONDING LUG R-375



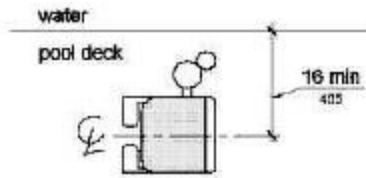
FEB 2012

New Construction/Saw Cut Sleeve
Anchor R-375

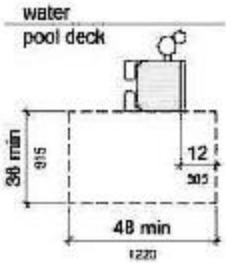


ADA GUIDELINES FOR POOL LIFT PLACEMENT

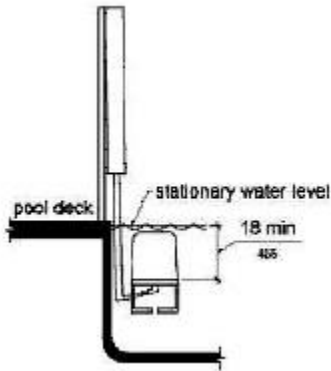
- Pool Lift Location. Pool lifts shall be located where the water level does not exceed 48 inches (1220 mm).
Seat Location. In the raised position, the centerline of the seat shall be located over the deck and 16 inches (405 mm) minimum from the edge of the pool. The deck surface between the centerline of the seat and the pool edge shall have a slope not steeper than 1:48.



- Clear Deck Space. On the side of the seat opposite the water, a clear deck space shall be provided parallel with the seat. The space shall be 36 inches (915 mm) wide minimum and shall extend forward 48 inches (1220 mm) minimum from a line located 12 inches (305 mm) behind the rear edge of the seat. The clear deck space shall have a slope not steeper than 1:48.



- Submerged Depth. The lift shall be designed so that the seat will submerge to a water depth of 18 inches (455 mm) minimum below the stationary water level.

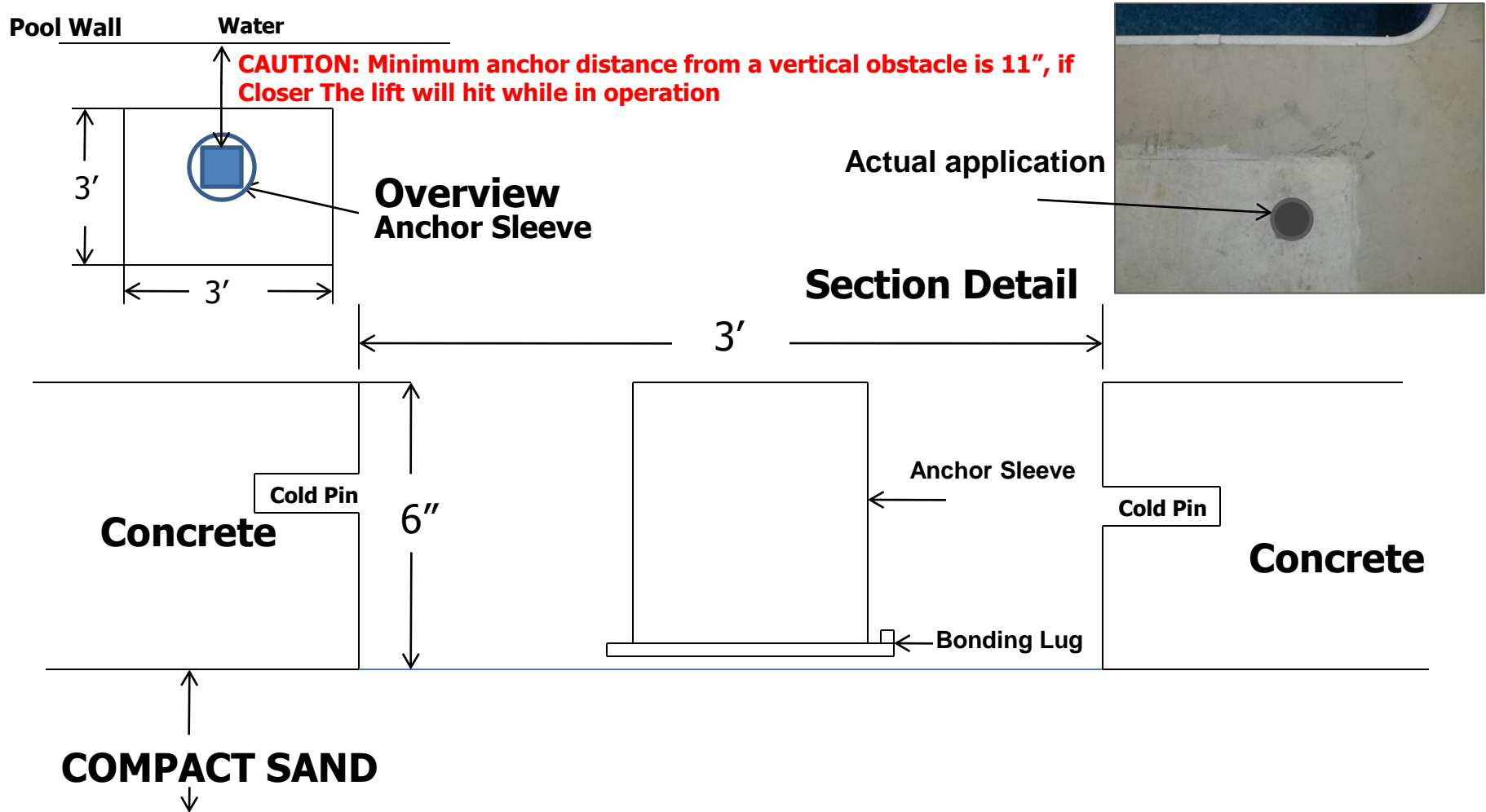


FEB 2012

New Construction/Saw Cut Sleeve
Anchor R-375



ROTATIONAL SERIES – SLEEVE ANCHORING SYSTEM



Front of Anchor Sleeve must be 11" to 36" from the water's edge or if an obstacle is present before the water

Connect the bonding lug to your bonding grid

Cold Pin's should be 1/2" rebar 6" to 8" long

NOTE: Make sure your anchor sleeve is level and square with your pool's edge.

INSTALLATION STEPS

Step 1: Determine the location for installation (Make sure all ADA requirements are met)

NOTE: The installation of Global Lift Corp's anchor system's are a guideline of minimum requirements. In some states or municipalities they may require additional steps due to their local codes or ordinances.

Step 2: Make sure that all the parts are present (Refer to the parts list)

- ✓ 1 - Anchor Sleeve w/ Base
- ✓ 1 - Bonding Lug
- ✓ 1 - Plastic Cap

Step 3: At the determined location for installation, chalk out a 3' X 3' area prior to cutting out the concrete. (Refer to overview, the front end of the Anchor Sleeve must be 11" to 24" from the water's edge or if an obstacle is present before the water and 6" deep). New Construction, the concrete must be 6" deep with a 1/2" reinforcing rod, minimum of an 18" grid.

NOTE: Make sure you comply with all local codes and ordinances.

Step 4: Once the 3' X 3' area is cut out, make sure you drill in the inner wall of all 4 sides of the area (refer to the section detail) for the purpose of cold pinning the new concrete to the old concrete. Use 1/2" rebar, 6" to 8" in length.

Step 5: Place the Anchor Sleeve in the cut out area, make sure that the front of the Anchor Sleeve is 12" (min) to 24" (max) from the water's edge or if an obstacle is present before the water. (refer to overview) A key element is to make sure that the Anchor Sleeve is level and square with the pool so that your Rotational Series Lift sits properly on the deck.

NOTE: If you place the anchor sleeve 12" from the pools edge, the lift will reach 36" out into the water. If you were to place the anchor sleeve 36" from the pools edge or an obstacle, the lift will only reach 12" into the water.

Step 7: Bonding the unit – The bonding lug is supplied with the Anchor Sleeve, locate the bonding lug, connect the bonding lug to the bonding grid.

NOTE: Make sure you comply to all local codes and ordinances.

Step 8: Pour in your concrete, (make sure you cover the hole on your anchor sleeve with the plastic cap provided, so you don't get concrete in the sleeve) a minimum of 4,000 psi concrete with reinforcing rod. Also make sure that the top of the anchor sleeve is flush with the deck. Before you install your lift make sure you let the concrete set up for 48 hours.

Step 9: After the concrete has set for 48 hours, now it's time to install your lift. Place your Rotational Series Lift over the anchor sleeve, once you have completed the installation, please refer to User's Manual for a safe operation.